

Product Data Sheet

HXK80AA

Revision 1

(Variant Code B)

1 Application

Application	Refrigerant	Expansion Device	Cooling Type
LBP	R600a	Capillary	Static

1.1 Application Conditions

Max. Ambient temp. ¹	[°C]	43
Max. Steady discharge temp. ²	[°C]	120
Max. Peak discharge temp. ^{2, 5}	[°C]	135
Max. Steady condensing temp. ³	[°C]	60
Max. Peak condensing temp. ^{3, 5}	[°C]	70
Max. Winding temp. ⁴	[°C]	130

¹ ...static

² ...measured on discharge tube, 50 mm from the shell

³ ...measured in the middle of condenser

⁴ ...calculated out of the measured difference of resistance

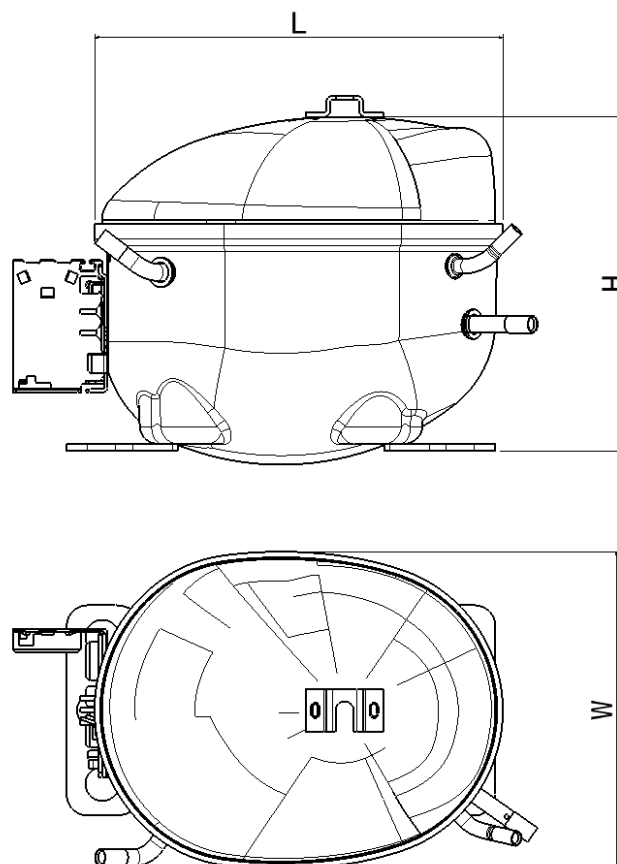
⁵ ...max 5% of lifetime

Variant code according to Label; see General Product Documentation

2 Mechanical Data

Displacement	[cm³]	8,1
Net Weight¹	[kg]	8,4
Oil Type		mineral
Oil Charge	[ml]	165
Oil Viscosity	[cst]	5
Suction muffler		Semi direct
Free Gas Volume	[cm³]	1500
Length L	[mm]	237,5
Width W	[mm]	151,5
Height H	[mm]	167

¹...Compressor without accessories



3 Electrical Data

Power supply	[V]	220 - 240
Voltage range ¹	[V]	187 - 264
Frequency	[Hz]	50
Phase	[ph]	1
Motor type		RSCR
Locked rotor current @ steady state	[A]	3,5
Max. Locked rotor current / measured after 4 sec	[A]	9,8 / 4,0
Main wind. Resistance @ 25°C	[Ω]	25,2
Start wind. Resistance @ 25°C	[Ω]	17,4

¹...Operating and starting (starting condition @ +43°C windings temperature, 3,5 barA equalized pressure)

All data measured according to EN 60335

3.1 Electrical Component Data

Terminal board		ECC
Starting device	Code	K120
PTC	Type	A
Run Capacitor	[μF]	3 ; 4

3.2 Motor Protector

Motor Protector	BDG	Senbao
Type	AE 24 FW x	B45 120 xx
Code	F4	MP

4 Performance Data

4.1 Cooling Capacity, COP and Input Power

Performance Table Cooling Capacity @ ASHRAE / EN12900 (CECOMAF); 220V, 50Hz; [W]:

Evap. temp. [°C]		-35	-30	-25	-23,3	-20	-15	-10	
Condensing temp. @	ASHRAE [°C]	40	79,9	106,5	138,4	150,5	175,8	218,5	266,5
		45	76,7	103,0	134,9	147,0	172,4	215,6	264,4
		50	73,5	99,5	131,3	143,5	169,1	212,7	262,2
		55	70,4	96,0	127,8	140,0	165,7	209,8	260,0
		60	67,2	92,5	124,2	136,5	162,4	206,9	257,8
	EN12900 (CECOMAF) [°C]	C55	58,0	79,0	105,0	115,0	136,0	173,0	214,0

Performance Table COP with RC @ ASHRAE / EN12900 (CECOMAF); 220V, 50Hz; [W/W]:

Evap. temp. [°C]		-35	-30	-25	-23,3	-20	-15	-10	
Condensing temp. @	ASHRAE [°C]	40	1,57	1,83	2,09	2,17	2,34	2,60	2,86
		45	1,50	1,75	2,00	2,08	2,24	2,49	2,74
		50	1,44	1,67	1,91	1,99	2,14	2,38	2,61
		55	1,37	1,59	1,82	1,90	2,04	2,27	2,49
		60	1,30	1,52	1,73	1,80	1,94	2,16	2,37
	EN12900 (CECOMAF) [°C]	C55	1,13	1,31	1,50	1,56	1,68	1,87	2,05

Performance Table Input Power with RC @ ASHRAE / EN12900 (CECOMAF); 220V, 50Hz; [W]:

Evap. temp. [°C]		-35	-30	-25	-23,3	-20	-15	-10	
Condensing temp. @	ASHRAE [°C]	40	50,9	58,2	66,4	69,3	75,0	84,0	93,3
		45	51,0	58,9	67,6	70,7	76,9	86,6	96,7
		50	51,2	59,5	68,9	72,2	78,9	89,4	100,3
		55	51,4	60,2	70,3	73,9	81,1	92,5	104,3
		60	51,6	61,0	71,9	75,8	83,6	95,9	108,8
	EN12900 (CECOMAF) [°C]	C55	51,4	60,2	70,3	73,9	81,1	92,5	104,3

Test Conditions @ 220V/50Hz		ASHRAE	EN12900 (CECOMAF)
Evaporating temp.	[°C]	-23,3	-25
Condensing temp.	[°C]	55	55
Sub cooling temp.	[°C]	32	55
Suction temp.	[°C]	32	32
Ambient temp.	[°C]	32	32

Tolerance Range:

COP ± 5%
 Cooling Capacity ± 5%

4.2 Rated current @ 55°C condensing temperature

Evaporating temperature	[°C]	-30	-23,3	-10
Rated current with RC	[A]	0,29	0,35	0,48

5 Reliability Tests

High Temperature CECOMAF GT4 – 002	passed
Wear CECOMAF GT4 – 003	passed
On – Off CECOMAF GT4 – 004	passed
Transport test ASTM D4728	passed