

Product Data Sheet

HXK12AA

Revision 1

1 Application

Application	Refrigerant	Expansion Device	Cooling Type
LBP	R600a	Capillary	Static

1.1 Application Conditions

Max. Ambient temp. ¹	[°C]	43
Max. Steady discharge temp. ²	[°C]	120
Max. Peak discharge temp. ^{2,5}	[°C]	135
Max. Steady condensing temp. ³	[°C]	60
Max. Peak condensing temp. ^{3,5}	[°C]	70
Max. Winding temp. ⁴	[°C]	130

¹...static

²...measured on discharge tube, 50 mm from the shell

³...measured in the middle of condenser

⁴...calculated out of the measured difference of resistance

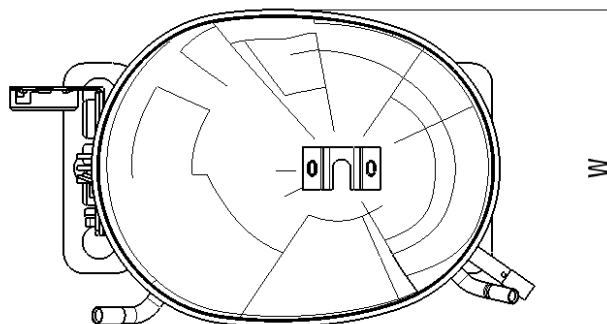
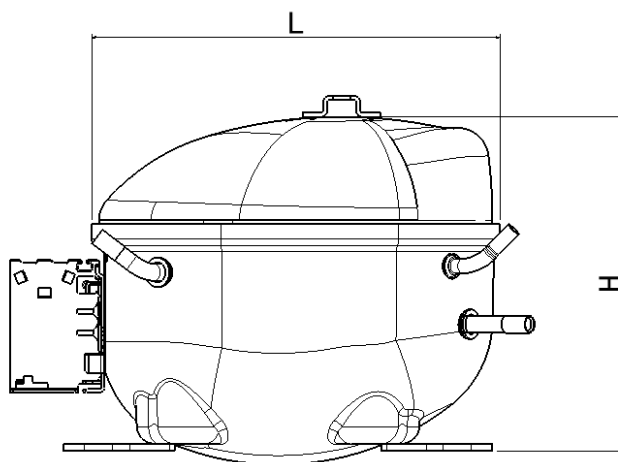
⁵...max 5% of lifetime

Variant code according to Label; see General Product Documentation

2 Mechanical Data

Displacement	[cm³]	11,1
Net Weight¹	[kg]	9,4
Oil Type		mineral
Oil Charge	[ml]	165
Oil Viscosity	[cst]	5
Suction muffler		Semi direct
Free Gas Volume	[cm³]	1560
Length L	[mm]	237,5
Width W	[mm]	151,5
Height H	[mm]	167

¹...Compressor without accessories



3 Electrical Data

Power supply	[V]	220 - 240
Voltage range ¹	[V]	187 - 264
Frequency	[Hz]	50
Phase	[ph]	1
Motor type		RSCR
Locked rotor current @ steady state	[A]	3,7
Max. Locked rotor current / measured after 4 sec	[A]	11,1 / 4.65
Main wind. Resistance @ 25°C	[Ω]	13,5
Start wind. Resistance @ 25°C	[Ω]	11,1

¹...Operating and starting (starting condition @ +43°C windings temperature, 3,5 barA equalized pressure)

All data measured according to EN 60335

3.1 Electrical Component Data

Terminal board		ECC
Starting device	Code	K120
PTC	Type	A
Run Capacitor	[μF]	4

3.2 Motor Protector

Motor Protector	BDG	Wanbao
Type	AE 72 FU x	B86 120 xx
Code	FP	MT

4 Performance Data

4.1 Cooling Capacity, COP and Input Power

Performance Table Cooling Capacity @ ASHRAE / EN12900 (CECOMAF); 220V, 50Hz; [W]:

Evap. temp. [°C]		-35	-30	-25	-23,3	-20	-15	-10	
Condensing temp. @	ASHRAE [°C]	40	113,8	155,5	202,7	220,0	255,4	313,5	377,2
		45	109,3	150,0	196,7	214,0	249,5	308,3	373,1
		50	104,8	144,5	190,8	208,0	243,6	303,0	369,1
		55	100,3	139,0	185,0	202,0	238,0	298,0	365,0
		60	95,8	133,5	178,8	196,0	231,9	292,6	360,9
	EN12900 (CECOMAF) [°C]	C55	83,0	115,0	152,0	168,0	196,0	245,0	300,0

Performance Table COP with RC @ ASHRAE / EN12900 (CECOMAF); 220V, 50Hz; [W/W]:

Evap. temp. [°C]		-35	-30	-25	-23,3	-20	-15	-10	
Condensing temp. @	ASHRAE [°C]	40	1,58	1,84	2,10	2,19	2,36	2,62	2,88
		45	1,51	1,76	2,01	2,09	2,25	2,50	2,74
		50	1,45	1,68	1,91	1,99	2,15	2,38	2,61
		55	1,38	1,60	1,82	1,90	2,04	2,26	2,48
		60	1,32	1,52	1,73	1,80	1,94	2,14	2,35
	EN12900 (CECOMAF) [°C]	C55	1,14	1,32	1,50	1,56	1,68	1,86	2,04

Performance Table Input Power with RC @ ASHRAE / EN12900 (CECOMAF); 220V, 50Hz; [W]:

Evap. temp. [°C]		-35	-30	-25	-23,3	-20	-15	-10	
Condensing temp. @	ASHRAE [°C]	40	72,0	84,5	96,6	100,6	108,3	119,8	131,2
		45	72,2	85,2	98,1	102,4	110,8	123,4	136,0
		50	72,4	86,0	99,7	104,4	113,5	127,3	141,3
		55	72,6	86,8	101,4	106,5	116,4	131,7	147,1
		60	72,8	87,6	103,4	108,9	119,7	136,5	153,6
	EN12900 (CECOMAF) [°C]	C55	72,6	86,8	101,4	106,5	116,4	131,7	147,1

Test Conditions @ 220V/50Hz		ASHRAE	EN12900 (CECOMAF)
Evaporating temp.	[°C]	-23,3	-25
Condensing temp.	[°C]	55	55
Sub cooling temp.	[°C]	32	55
Suction temp.	[°C]	32	32
Ambient temp.	[°C]	32	32

Tolerance Range:

COP ± 5%
Cooling Capacity ± 5%

4.2 Rated current @ 55°C condensing temperature

Evaporating temperature	[°C]	-30	-23,3	-10
Rated current with RC	[A]	0,42	0,52	0,70

5 Reliability Tests

High Temperature CECOMAF GT4 – 002	passed
Wear CECOMAF GT4 – 003	passed
On – Off CECOMAF GT4 – 004	passed
Transport test ASTM D4728	passed