

# Product Data Sheet

## HXK95AT

### Revision 1

## 1 Application

Application	Refrigerant	Expansion Device	Cooling Type
LBP	R600a	Capillary	Static

### 1.1 Application Conditions

Max. Ambient temp. <sup>1</sup>	[°C]	43
Max. Steady discharge temp. <sup>2</sup>	[°C]	120
Max. Peak discharge temp. <sup>2, 5</sup>	[°C]	135
Max. Steady condensing temp. <sup>3</sup>	[°C]	60
Max. Peak condensing temp. <sup>3, 5</sup>	[°C]	70
Max. Winding temp. <sup>4</sup>	[°C]	130

<sup>1</sup>...static

<sup>2</sup>...measured on discharge tube, 50 mm from the shell

<sup>3</sup>...measured in the middle of condenser

<sup>4</sup>...calculated out of the measured difference of resistance

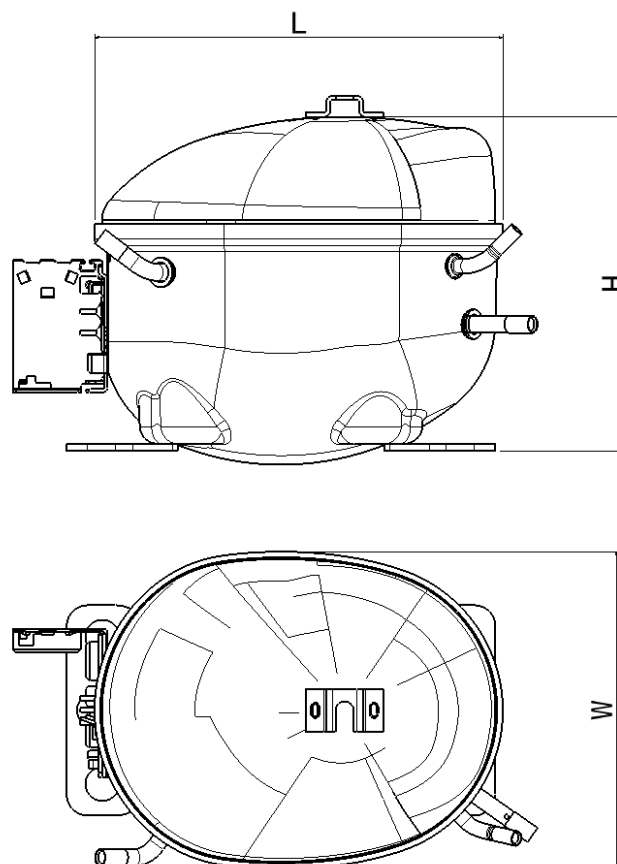
<sup>5</sup>...max 5% of lifetime

Variant code according to Label; see General Product Documentation

## 2 Mechanical Data

<b>Displacement</b>	<b>[cm<sup>3</sup>]</b>	9,6
<b>Net Weight<sup>1</sup></b>	<b>[kg]</b>	9,3
<b>Oil Type</b>		mineral
<b>Oil Charge</b>	<b>[ml]</b>	165
<b>Oil Viscosity</b>	<b>[cst]</b>	5
<b>Suction muffler</b>		Semi direct
<b>Free Gas Volume</b>	<b>[cm<sup>3</sup>]</b>	1560
<b>Length L</b>	<b>[mm]</b>	237,5
<b>Width W</b>	<b>[mm]</b>	151,5
<b>Height H</b>	<b>[mm]</b>	167

<sup>1</sup>...Compressor without accessories



*Italia Wanbao-ACC S.r.l. reserves the right to change the data without prior notice*

### 3 Electrical Data

Power supply	[V]	200 - 240
Voltage range <sup>1</sup>	[V]	170 - 264
Frequency	[Hz]	50
Phase	[ph]	1
Motor type		RSCR
Locked rotor current @ steady state	[A]	3,7
Max. Locked rotor current / measured after 4 sec	[A]	11,1 / 4.65
Main wind. Resistance @ 25°C	[Ω]	13,5
Start wind. Resistance @ 25°C	[Ω]	11,1

<sup>1</sup>...Operating and starting (starting condition @ +43°C windings temperature, 3,5 barA equalized pressure)

All data measured according to EN 60335

#### 3.1 Electrical Component Data

Terminal board		ECC
Starting device	Code	K120
PTC	Type	A
Run Capacitor	[μF]	4

#### 3.2 Motor Protector

Motor Protector	BDG	Senbao
Type	AE 72 FU x	B86 120 xx
Code	FP	MT

## 4 Performance Data

### 4.1 Cooling Capacity, COP and Input Power

Performance Table Cooling Capacity @ ASHRAE / EN12900 (CECOMAF); 220V, 50Hz; [W]:

Evap. temp. [°C]		-35	-30	-25	-23,3	-20	-15	-10	
Condensing temp. @	ASHRAE [°C]	40	96	131	171	186	217	268	325
		45	94	127	166	181	212	263	321
		50	91	123	161	176	206	259	318
		55	88	119	156	171	201	254	314
		60	85	114	151	166	196	249	310
	EN12900 (CECOMAF) [°C]	C55	73	98	129	141	166	209	258

Performance Table COP with RC @ ASHRAE / EN12900 (CECOMAF); 220V, 50Hz; [W/W]:

Evap. temp. [°C]		-35	-30	-25	-23,3	-20	-15	-10	
Condensing temp. @	ASHRAE [°C]	40	1,50	1,87	2,19	2,30	2,49	2,76	3,01
		45	1,49	1,76	2,05	2,13	2,33	2,58	2,84
		50	1,44	1,68	1,92	2,00	2,17	2,42	2,69
		55	1,40	1,59	1,79	1,88	2,03	2,27	2,53
		60	1,37	1,50	1,68	1,75	1,90	2,15	2,40
	EN12900 (CECOMAF) [°C]	C55	1,16	1,31	1,48	1,55	1,68	1,87	2,08

Performance Table Input Power with RC @ ASHRAE / EN12900 (CECOMAF); 220V, 50Hz; [W]:

Evap. temp. [°C]		-35	-30	-25	-23,3	-20	-15	-10	
Condensing temp. @	ASHRAE [°C]	40	64	70	78	81	87	97	108
		45	63	72	81	85	91	102	113
		50	63	73	84	88	95	107	118
		55	63	75	87	91	99	112	124
		60	62	76	90	95	103	116	129
	EN12900 (CECOMAF) [°C]	C55	63	75	87	91	99	112	124

Test Conditions @ 220V/50Hz		ASHRAE	EN12900 (CECOMAF)
Evaporating temp.	[°C]	-23,3	-25
Condensing temp.	[°C]	55	55
Sub cooling temp.	[°C]	32	55
Suction temp.	[°C]	32	32
Ambient temp.	[°C]	32	32

Tolerance Range:

COP                            ± 5%  
Cooling Capacity            ± 5%

#### 4.2 Rated current @ 55°C condensing temperature

Evaporating temperature	[°C]	-30	-23,3	-10
Rated current with RC	[A]	0,42	0,52	0,70

### 5 Reliability Tests

High Temperature CECOMAF GT4 – 002	passed
Wear CECOMAF GT4 – 003	passed
On – Off CECOMAF GT4 – 004	passed
Transport test ASTM D4728	passed