

General Product Documentation




KAPPA

Contents

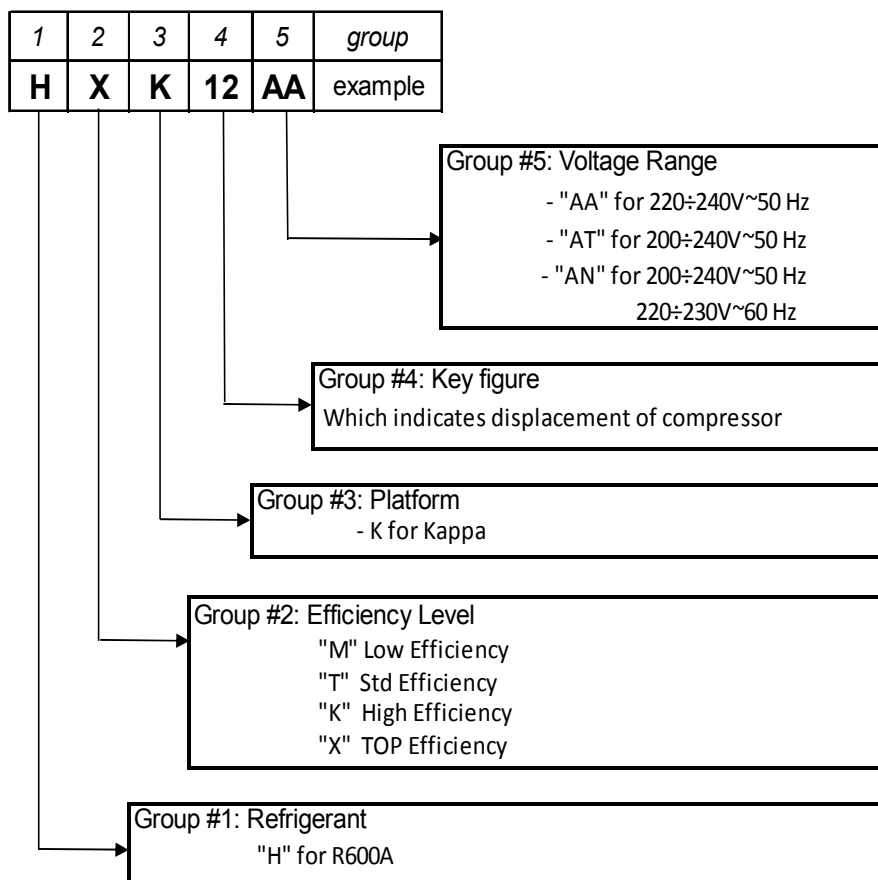
1	Approvals and Certificate References.....	- 3 -
2	Compressor Denomination.....	- 3 -
3	Label.....	- 4 -
4	Delivery Conditions.....	- 4 -
5	Application Conditions	- 5 -
	5.1 Oil transport of the compressor in the refrigeration circuit.....	- 5 -
6	Drawings.....	- 6 -
	6.1 Outline Dimensions with short Service Tube.....	- 6 -
	6.2 Outline Dimensions with long Service Tube.....	- 8 -
	6.3 Outline dimensions with terminal board cover, evaporation tray.....	- 9 -
	6.4 Evaporation Tray.....	- 10 -
	6.4.1. Dimension of Evaporation Tray.....	- 10 -
	6.4.2. Outline Dimensions with Evaporation Tray.....	- 10 -
7	Transport, Packaging, Palletization.....	- 11 -
	7.1 Recommended Transport Positions when fitted into appliances.....	- 11 -
	7.2 Packaging and Palletization.....	- 12 -
	7.2.1 Packaging type and pallet data.....	- 12 -
	7.2.2 Transport	- 12 -
	7.2.3 Warehouse Storing.....	- 13 -
	7.2.4 Recycling of compressors	- 13 -
8	Electrical Components.....	- 14 -
	8.1 ECC terminal board assembly.....	- 14 -
	8.2 Electrical Terminal Circuit Diagram.....	- 15 -
9	Mounting Accessories.....	- 16 -
	9.1 Standard.....	- 16 -
	9.2 Optional.....	- 16 -

1 Approvals and Certificate References

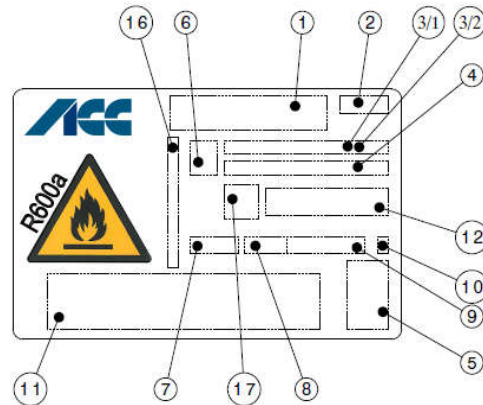
Model	VDE, (CE) Licence No.	EAC Licence No.
HXK_AA	40023932	-
HKK_AA	40016856	-
HKK12AT	40031158	-
HKK12AN	40043064	-
HTK_AA	40016857	-
HMK_AA	40016863	BY/112 02.01.020 04723

CE	
VDE	
EAC	

2 Compressor Denomination



3 Label



Legend	
1	Compressor model
2	Production date (2 digits year / 2 digits week)
3/1	Electrical characteristics
3/2	"MADE IN ITALY" Optional text only for specific customers
4	Electrical characteristics
5	Approval marks (VDE and/or CE)
6	Variant code
7	Nickname (4 digits: first digit Platform + version code)
8	Production date (1 digit year / 2 digits week)
9	Serial number (6 digits)
10	Check digit (bar-code)
11	Bar code (14 digits: Platform, version code, production date, serial number and check digit)
12	Suction tube indication
16	Cooling capacity ASHRAE
17	EAC approval mark

4 Delivery Conditions

Max Solid impurities	[mg]	30
Max soluble impurities	[mg]	600
Max Total compressor water content	[mg]	100

5 Application Conditions

Max Ambient temp.¹	[°C]	43
Max Steady discharge temp.²	[°C]	120
Max Peak discharge temp.^{2, 5}	[°C]	135
Max Steady condensing temp.³	[°C]	60
Max Peak condensing temp.^{3, 5}	[°C]	70
Max Winding temp.⁴	[°C]	130

¹ ...static

² ...measured on discharge tube, 50 mm from the shell

³ ...measured in the middle of condenser

⁴ ...measured by 4 wire resistance technique

⁵ ...max 5% of lifetime

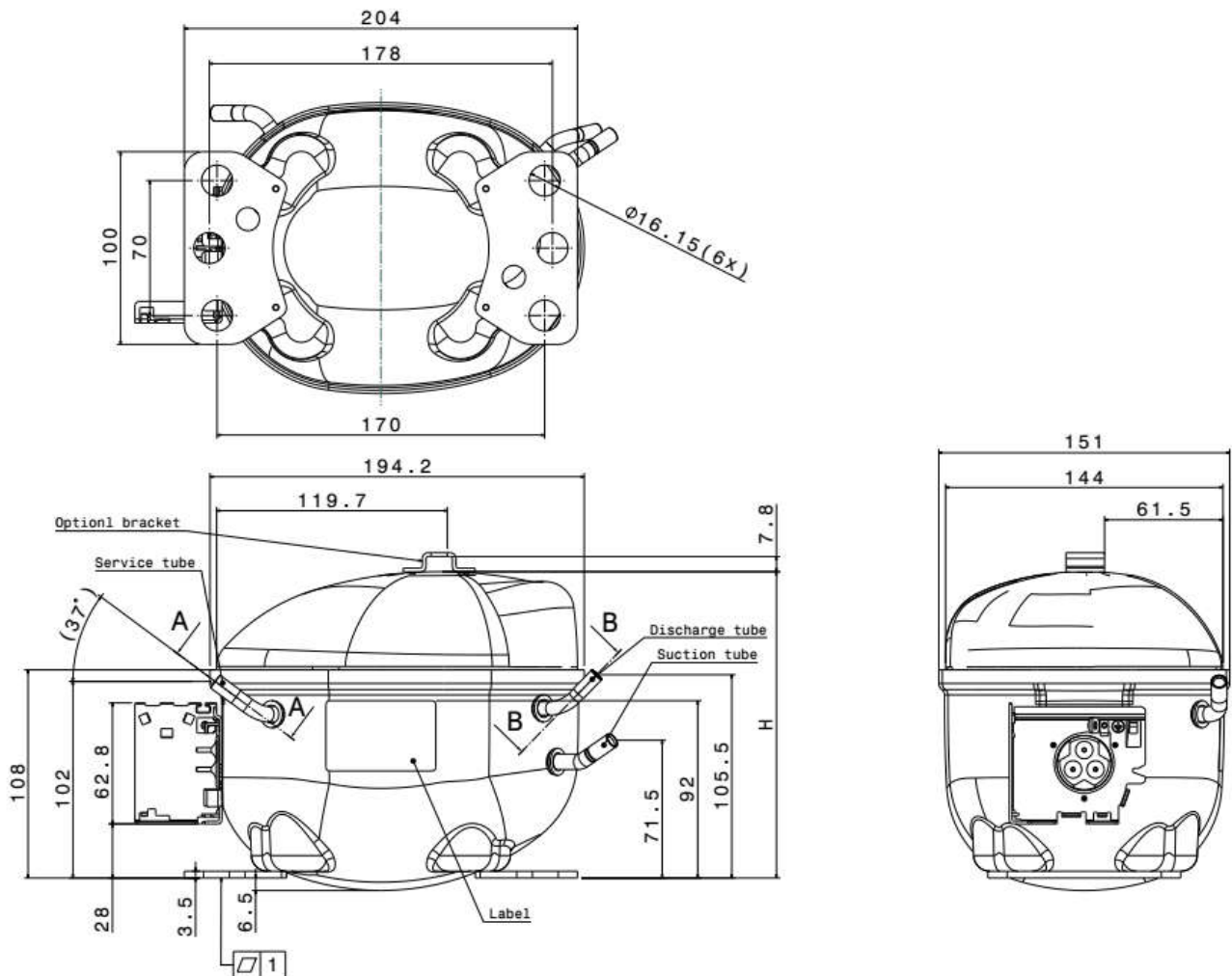
5.1 Oil transport of the compressor in the refrigeration circuit

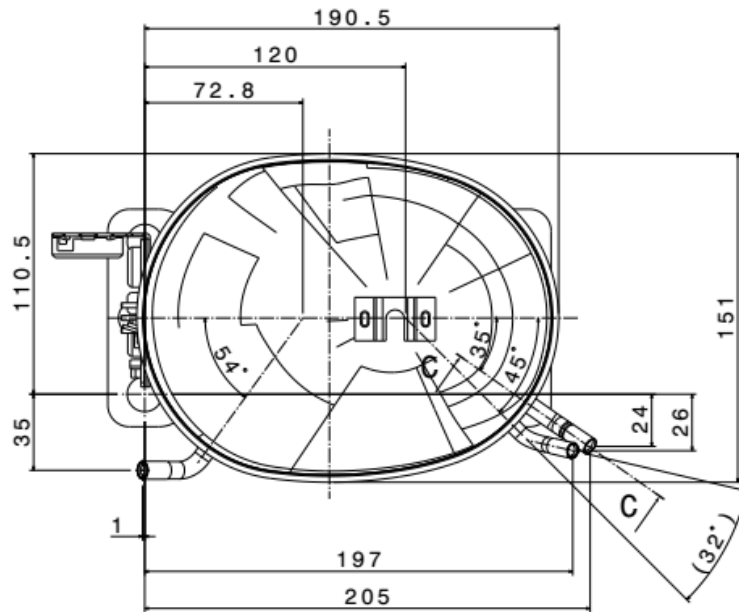
Average value of the transported oil in the refrigeration circuit:

Model	Oil flow rate
	average (g/h)
12	5
95	3
80	2
70	1,5
55	1

6 Drawings

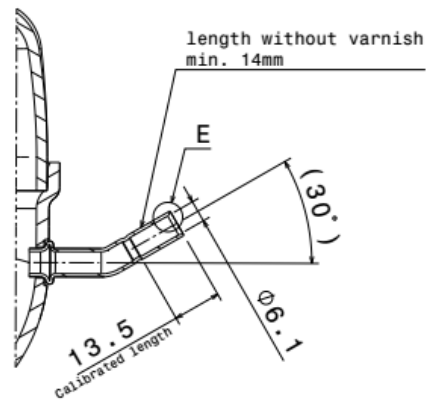
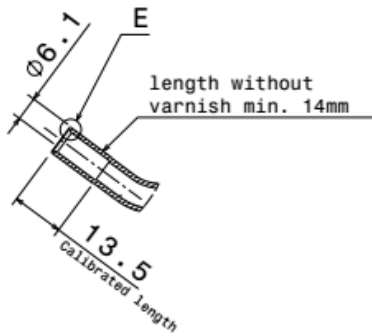
6.1 Outline Dimensions with short Service Tube



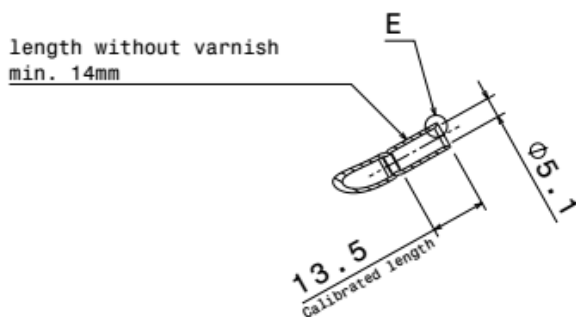


Section C-C
Suction tube

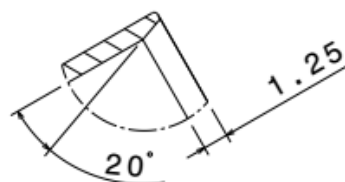
Section A-A
Service tube



Section B-B
Discharge tube

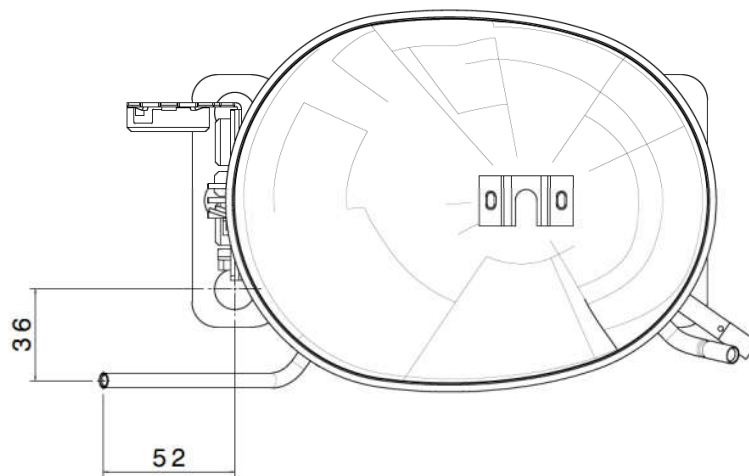
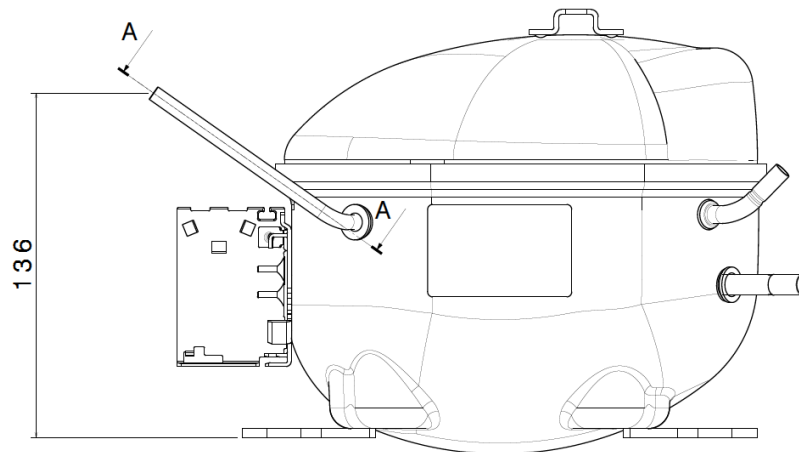


Detail E
Scale 5:1

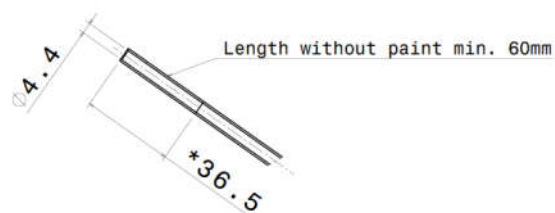


6.2 Outline Dimensions with long Service Tube

All other dimensions and descriptions see outline dimensions with short service tube

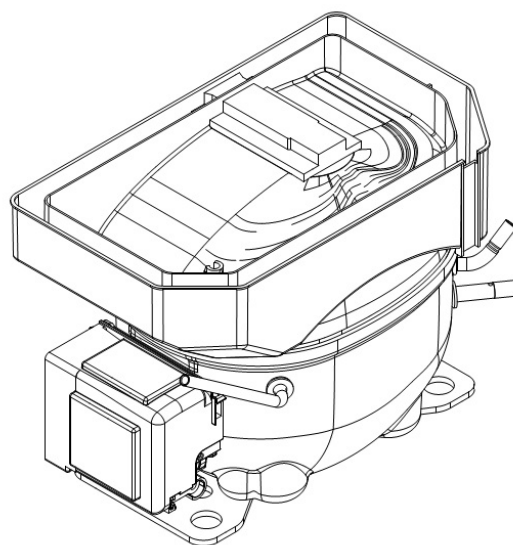
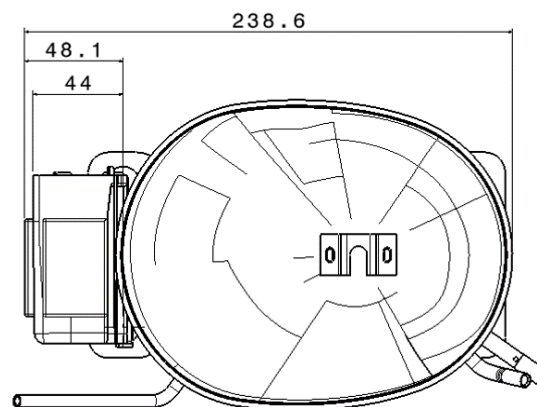
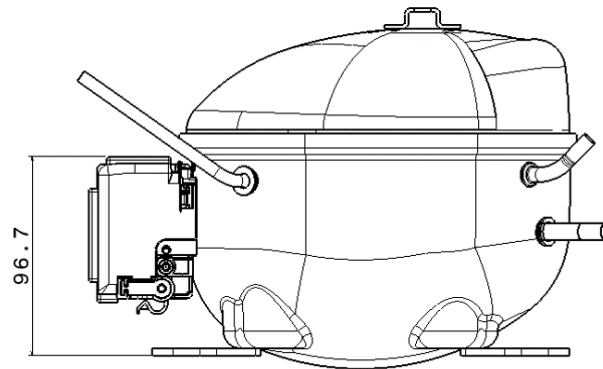


Section A-A
Service tube



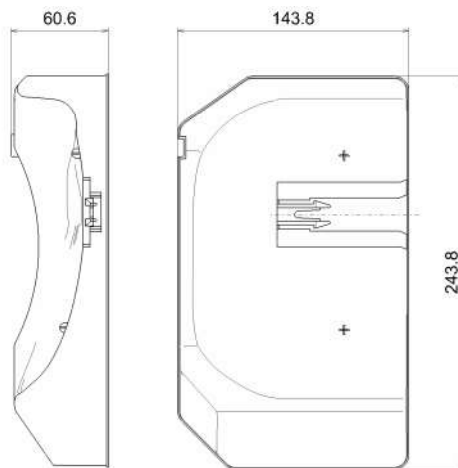
* calibrated length

6.3 Outline dimensions with terminal board cover, evaporation tray

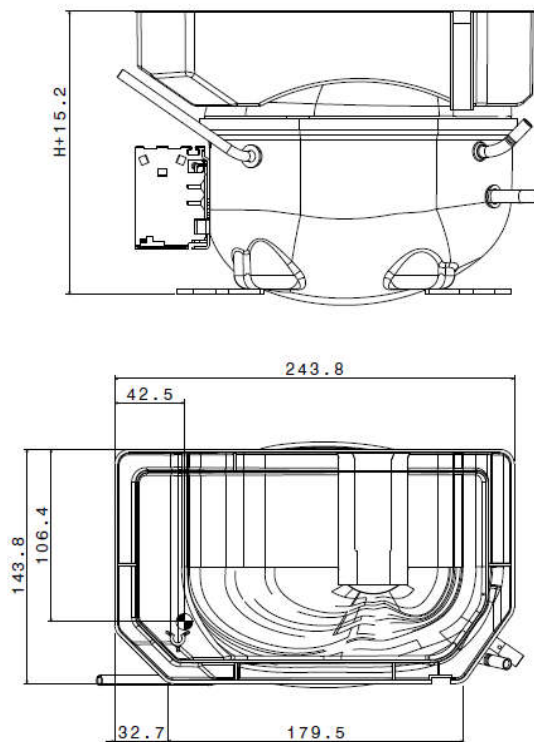


6.4 Evaporation Tray

6.4.1. Dimension of Evaporation Tray



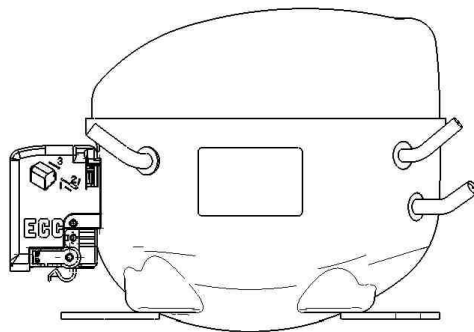
6.4.2. Outline Dimensions with Evaporation Tray



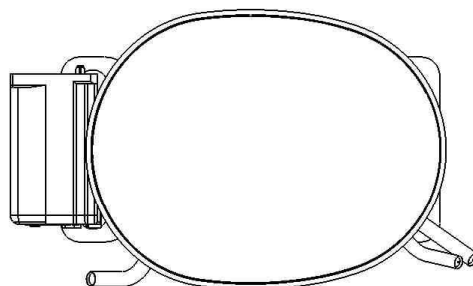
7 Transport, Packaging, Palletization

7.1 Recommended Transport Positions when fitted into appliances

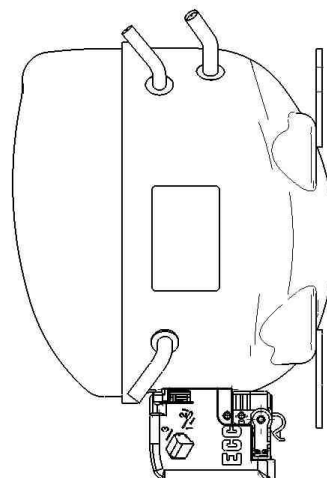
Upright



Tubes Down



Terminal Board Down



7.2 Packaging and Palletization

7.2.1 Packaging type and pallet data

Packaging-type		Layers	Quantity	Compressors per layer	Pallet Size L x W
				L x W [pcs]	[mm]
One-Way Packaging	Wood-EPS* Packaging	4	80	5 x 4 = 20	1120 x 820
		5	100	5 x 4 = 20	1120 x 820
	Single Packaging	5	60	4 x 3 = 12	1120 x 820
More-Way Packaging	ABS	4	84	7 x 3 = 21	1200 x 800
		5	105	7 x 3 = 21	1200 x 800

*Optional protection and reinforcement with Top Foil and/or Cardboard-Box.

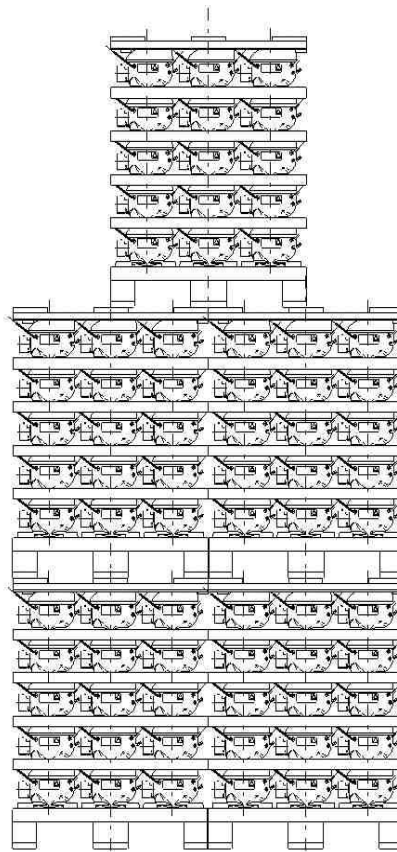
7.2.2 Transport

Packaging-type		Layers	Stacking height Number of Pallets	
			Truck	Container
One-Way Packaging	Wood-EPS Packaging	4	1	-
		5	1	-
	Wood-EPS + Cardboard-Box	4	1	-
		5	1	-
	Wood-EPS + Cardboard-Box + PE Top Foil	4	1	2
		5	1	2
	Wood-EPS + PE Top Foil	4	1	2
		5	1	2
Single Packaging	5	1	1	
More-Way Packaging	ABS	4	2	-
		5	1	-

Italia Wanbao-ACC S.r.l. reserves the right to change the data without prior notice

7.2.3 Warehouse Storing

More-Way Packaging and One Way Packaging
Max 3 Pallet layers
3rd layer with offset



Attention: Single packaging one Pallet layer only!

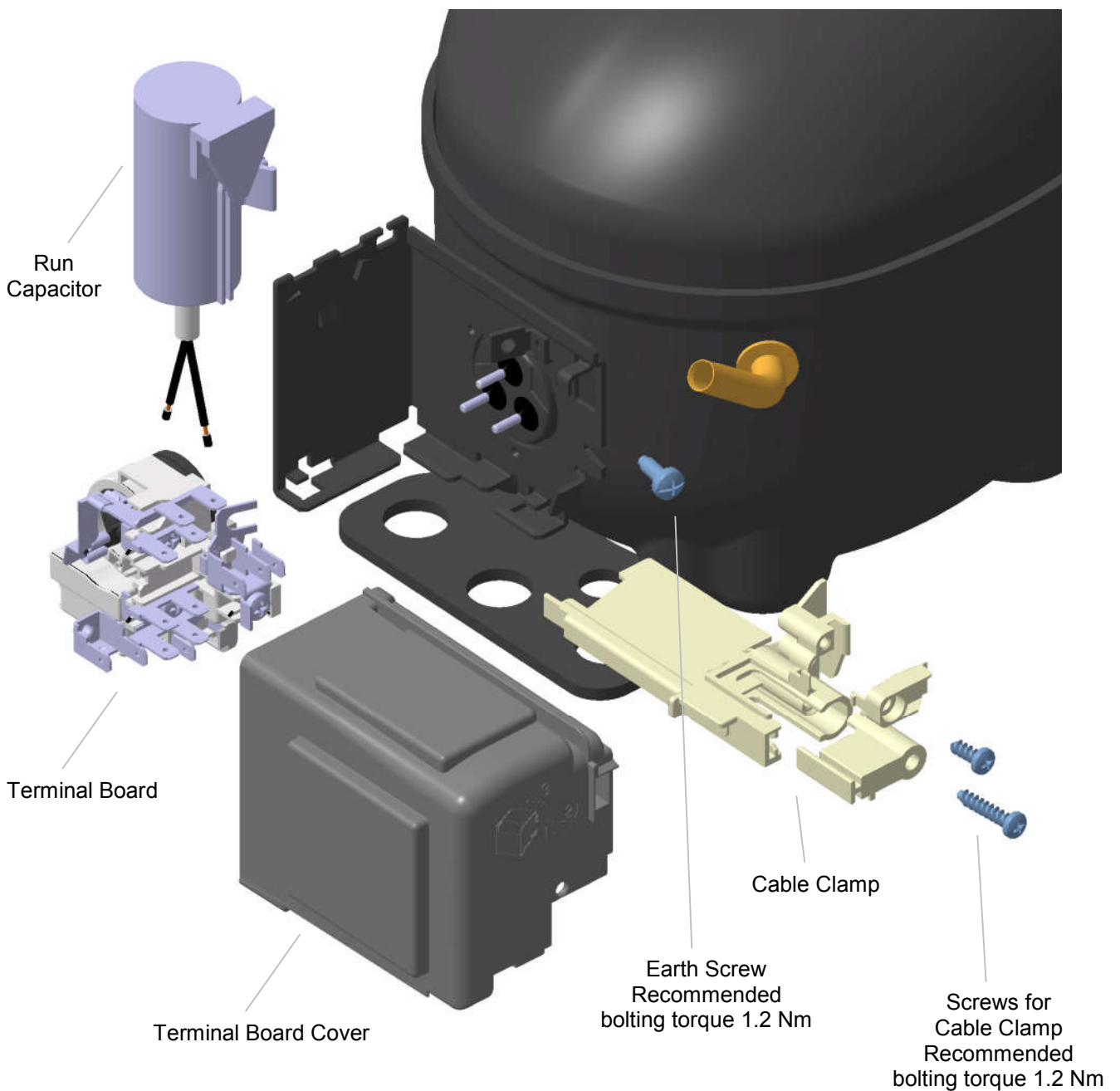
7.2.4 Recycling of compressors



Oil and gas must be recycled separately. Afterwards the compressor must be removed from the refrigerator and has to be given to a scrap metal recycling unit.

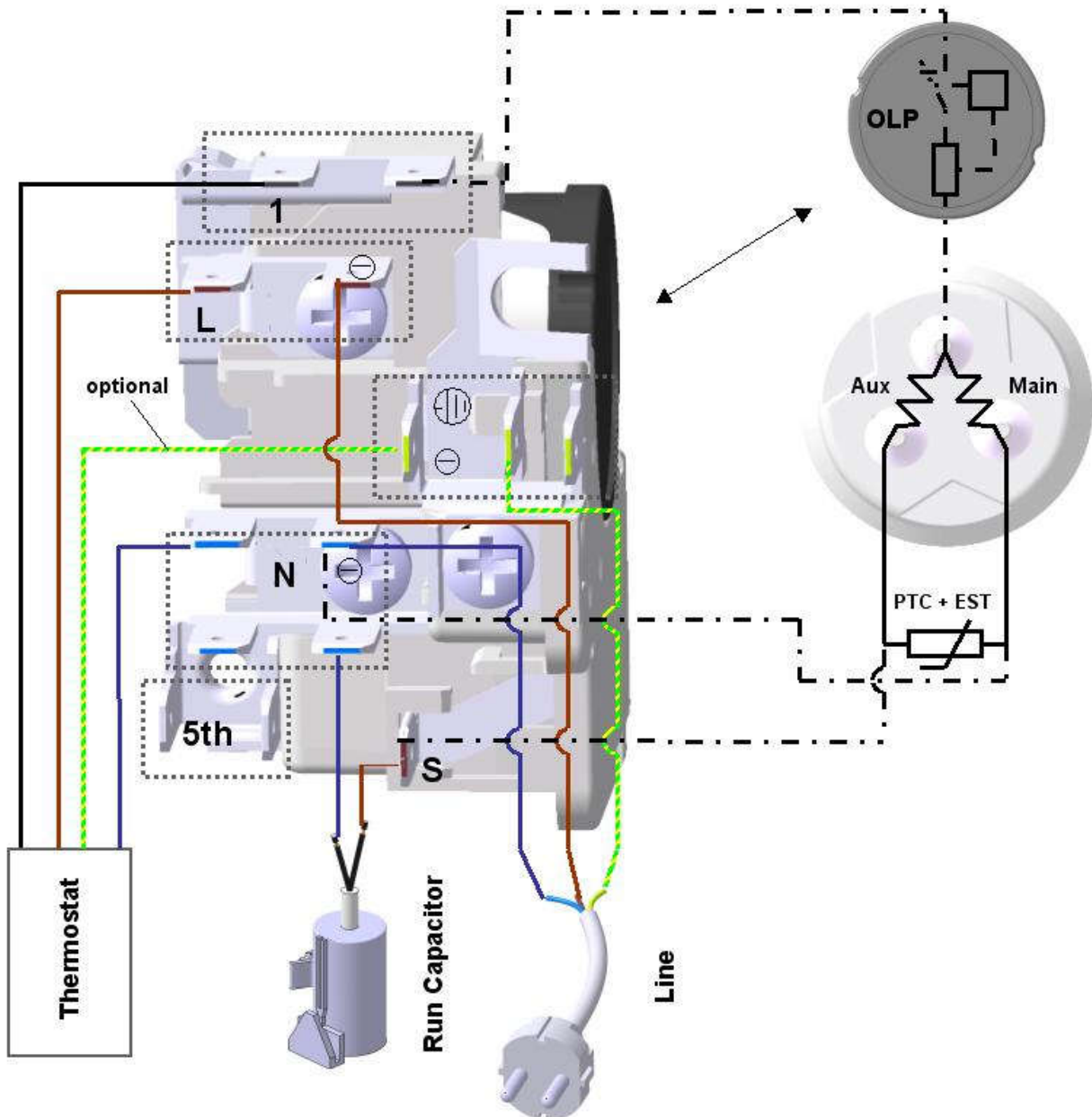
8 Electrical Components

8.1 ECC terminal board assembly



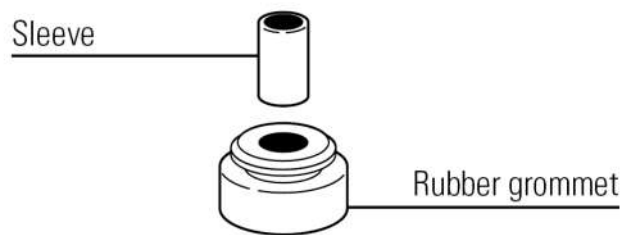
8.2 Electrical Terminal Circuit Diagram

ECC Frontal Version



9 Mounting Accessories

9.1 Standard



9.2 Optional

