
Product Data Sheet

HTK70AA K3

Revision 1

(Variant Code 3)

1 Application

Application	Refrigerant	Expansion Device	Cooling Type
LBP	R600a	Capillary	Static

1.1 Application Conditions

Max. Ambient temp.¹	[°C]	43
Max. Steady discharge temp.²	[°C]	120
Max. Peak discharge temp.^{2, 5}	[°C]	135
Max. Steady condensing temp.³	[°C]	60
Max. Peak condensing temp.^{3, 5}	[°C]	70
Max. Winding temp.⁴	[°C]	130

¹...static

²...measured on discharge tube, 50 mm from the shell

³...measured in the middle of condenser

⁴...measured by 4 wire resistance technique

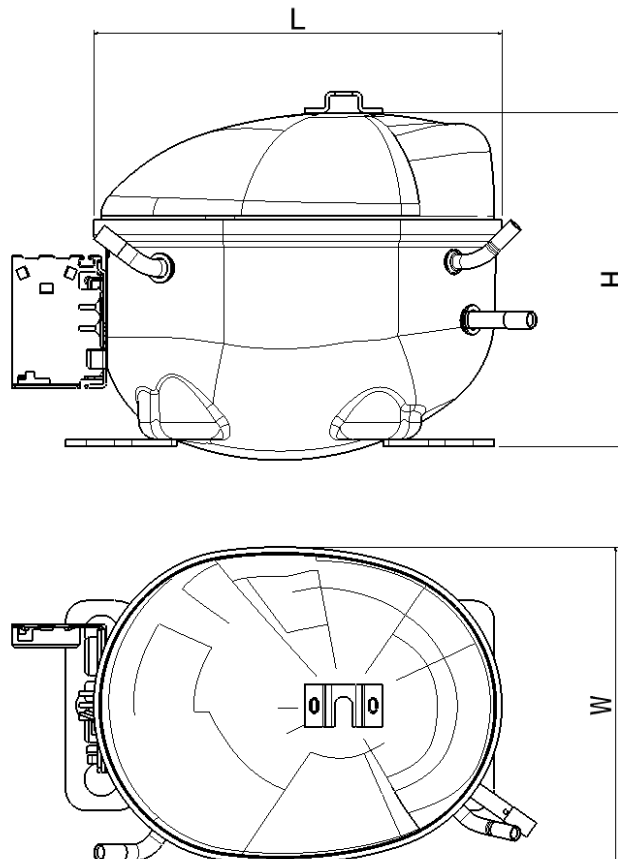
⁵...max 5% of lifetime

Variant code according to Label; see General Product Documentation

2 Mechanical Data

Displacement	[cm ³]	6.6
Net Weight ¹	[kg]	7,8
Oil Type		mineral
Oil Charge	[ml]	165
Oil Viscosity	[cst]	5
Suction		Semi direct
Free Gas Volume	[cm ³]	1500
Length L	[mm]	194,2
Width W	[mm]	151,5
Height H	[mm]	159

¹...Compressor without accessories



3 Electrical Data

Power supply	[V]	220 - 240
Voltage range ¹	[V]	187 - 264
Frequency	[Hz]	50
Phase	[ph]	1
Motor type		RSIR/RSCR
Locked rotor current @ steady state	[A]	2,9
Max. Locked rotor current / measured after 4 sec	[A]	10,9 / 3,4
Main wind. Resistance @ 25°C	[Ω]	35,3
Start wind. Resistance @ 25°C	[Ω]	16,3

¹...Operating and starting (starting condition @ +43°C windings temperature, 3,5 barA equalized pressure)

All data measured according to EN 60335

3.1 Electrical Component Data

Terminal board		ECC
Starting device	Code	K100
PTC	Type	A
Run Capacitor	[μF]	2,5; 3: 4

3.2 Motor Protector

Motor Protector	BDG	Senbao
Type	AE37FJ x	B59 115 x
Code	F7	MF

4 Performance Data

4.1 Cooling Capacity, COP and Input Power

Performance Table Cooling Capacity @ ASHRAE / EN12900 (CECOMAF); 220V, 50Hz; [W]:

Evap. temp. [°C]		-35	-30	-25	-23,3	-20	-15	-10	
Condensing temp. @	ASHRAE [°C]	40	61,9	84,5	112,5	123,2	145,9	184,7	229,0
		45	59,2	82,0	110,3	121,2	144,1	183,3	228,0
		50	56,4	79,5	108,1	119,1	142,2	181,8	227,0
		55	53,7	77,0	105,9	117,0	140,4	180,4	226,0
		60	50,9	74,5	103,7	114,9	138,5	179,0	225,0
	EN12900 (CECOMAF) [°C]	C55	44,0	63,0	87,0	96,0	115,0	148,0	185,0

Performance Table COP without/with RC @ ASHRAE / EN12900 (CECOMAF); 220V, 50Hz; [W/W]:

Evap. temp. [°C]		-35	-30	-25	-23,3	-20	-15	-10	
Condensing temp. @	ASHRAE [°C]	40	1,13 / 1,19	1,46 / 1,52	1,78 / 1,84	1,89 / 1,96	2,11 / 2,17	2,44 / 2,50	2,76 / 2,83
		45	1,10 / 1,16	1,40 / 1,46	1,70 / 1,76	1,80 / 1,86	1,99 / 2,05	2,29 / 2,35	2,59 / 2,65
		50	1,07 / 1,14	1,34 / 1,40	1,61 / 1,67	1,70 / 1,76	1,88 / 1,94	2,15 / 2,21	2,42 / 2,47
		55	1,04 / 1,11	1,29 / 1,35	1,53 / 1,58	1,61 / 1,66	1,77 / 1,82	2,01 / 2,06	2,25 / 2,30
		60	1,02 / 1,08	1,23 / 1,29	1,44 / 1,50	1,51 / 1,57	1,65 / 1,71	1,86 / 1,91	2,08 / 2,12
	EN12900 (CECOMAF) [°C]	C55	0,86 / 0,91	1,07 / 1,11	1,25 / 1,30	1,32 / 1,37	1,45 / 1,49	1,65 / 1,69	1,85 / 1,89

Performance Table Input Power without/with RC @ ASHRAE / EN12900 (CECOMAF); 220V, 50Hz; [W]:

Evap. temp. [°C]		-35	-30	-25	-23,3	-20	-15	-10	
Condensing temp. @	ASHRAE [°C]	40	53,2 / 52,1	57,0 / 55,7	62,4 / 61,0	64,5 / 63,0	68,8 / 67,2	75,6 / 73,9	82,9 / 81,0
		45	52,6 / 50,9	57,9 / 56,2	64,5 / 62,8	67,0 / 65,2	71,9 / 70,1	79,8 / 77,9	88,0 / 86,0
		50	52,0 / 49,7	58,8 / 56,7	66,8 / 64,7	69,7 / 67,6	75,5 / 73,4	84,5 / 82,4	93,8 / 91,8
		55	51,3 / 48,4	59,0 / 57,2	69,4 / 66,8	72,8 / 70,3	79,5 / 77,0	89,9 / 87,6	100,6 / 98,3
		60	50,7 / 47,1	61,1 / 57,8	72,3 / 69,2	76,2 / 73,3	84,0 / 81,2	96,1 / 93,5	108,5 / 106,0
	EN12900 (CECOMAF) [°C]	C55	51,3 / 48,4	59,0 / 57,2	69,4 / 66,8	72,8 / 70,3	79,5 / 77,0	89,9 / 87,6	100,6 / 98,3



HTK70AA K3

Product Data Sheet (Variant Code 3)

Test Conditions @ 220V/50Hz		ASHRAE	EN12900 (CECOMAF)
Evaporating temp.	[°C]	-23,3	-25
Condensing temp.	[°C]	55	55
Sub cooling temp.	[°C]	32	55
Suction temp.	[°C]	32	32
Ambient temp.	[°C]	32	32

Tolerance Range:

COP	± 5%
Cooling Capacity	± 5%

4.2 Rated current @ 55°C condensing temperature

Evaporating temperature	[°C]	-30	-23,3	-10
Rated current with RC	[A]	0,25	0,31	0,43
Rated current without RC	[A]	0,38	0,42	0,52

5 Reliability Tests

High Temperature CECOMAF GT4 – 002	passed
Wear CECOMAF GT4 – 003	passed
On – Off CECOMAF GT4 – 004	passed
Transport test ASTM D4728	passed